



SERVICE FORM

Gin Huat Cycle Trading Sdn Bhd	+603-6038 3703
GH Speedbikes Sdn Bhd	+603-6142 9303

TO BE COMPLETED BY CUSTOMER

CUSTOMER RETURN DETAILS Return through Dealer :

Customer Name : _____ Email : _____

Address : _____ Phone : _____

PRODUCT / PROBLEM DETAILS

FOX Fork

FOX Shock Model : Year : Length / Travel : ID Code : Serial No :

FOX Tranfer

Receipt attached? YES No Aftermarket Model OEM model, bike model / year :

Services received without receipts shall be processed as "Paid Servicing" by default.

Problem description : _____

Customer Signature : _____ Date : _____

FOR INTERNAL USE

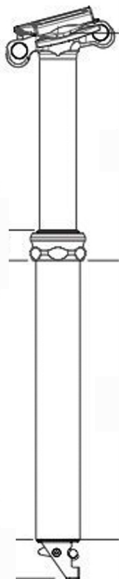
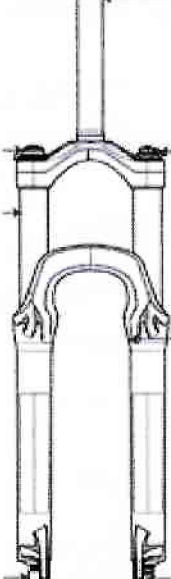
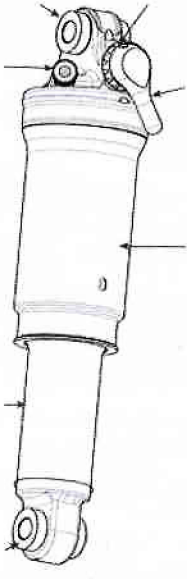
Date Received : _____

Fork / Shock is received with wear / scratches as indicated :

Tax Invoice No: _____

Customer Signature : _____

Date : _____

PARTS

Part Number	Description	Remarks	Qty	Amount RM

LABOUR

Service Code	Issue Code	Description	Amount RM
WARR-	ISSU-	<input type="checkbox"/> Warranty <input type="checkbox"/> Paid Servicing	
Total RM :			

Actions Taken / Remarks : _____

Date Completed: _____ Date Returned : _____ Staff : _____